

**SOFT SOUND**

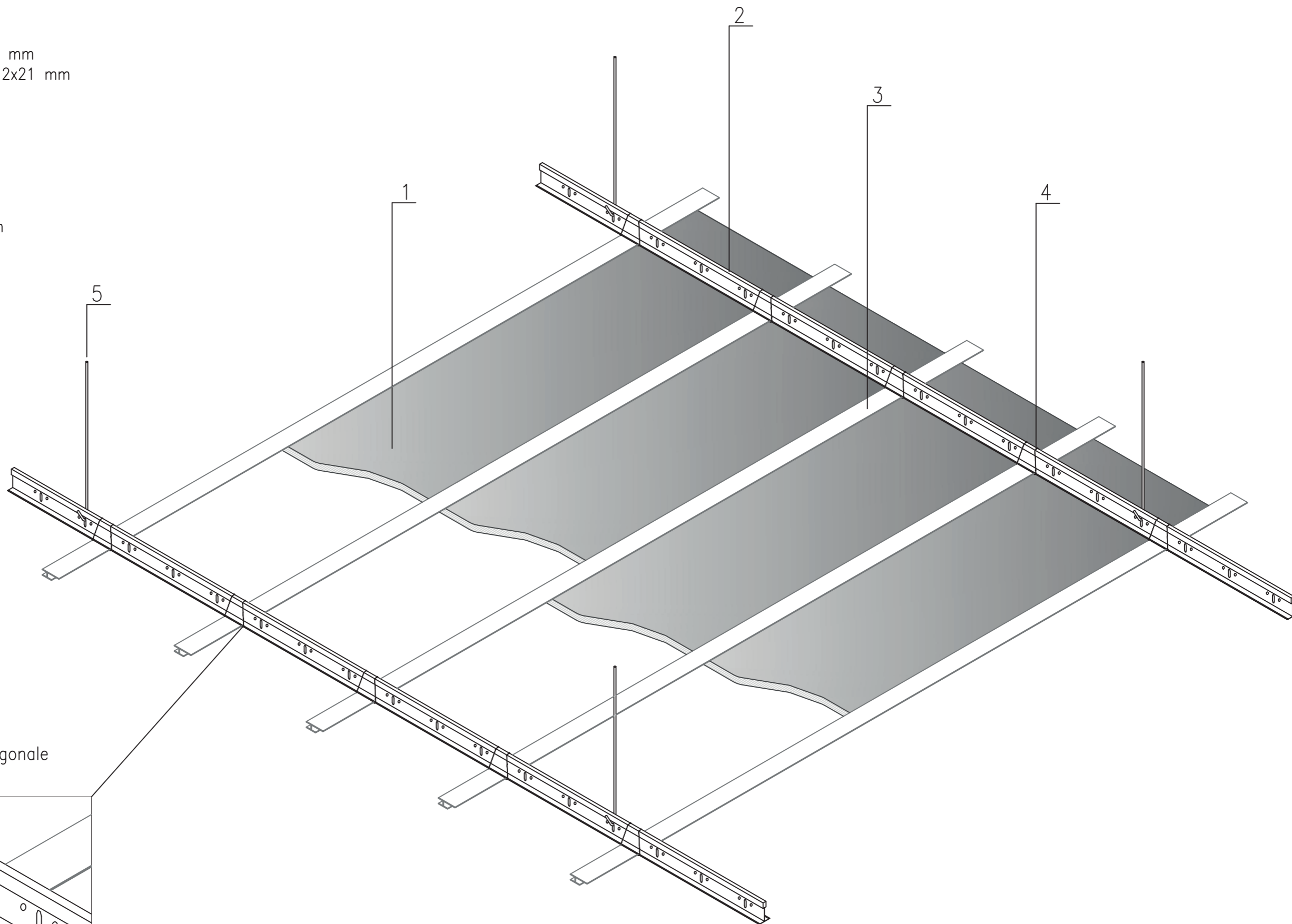
acoustical innovation & design

**SCHEMI DI MONTAGGIO CONTROSOFFITTI**

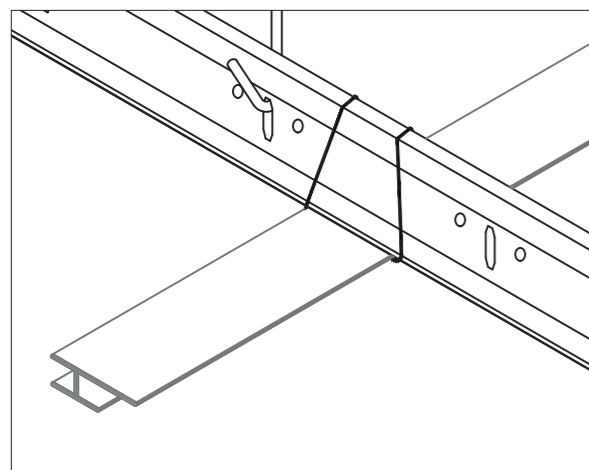
*CEILINGS INSTALLATION DIAGRAMS*

- 1 – Pannello Soft Top
- 2 – Portante primario 38x24 mm
- 3 – Profilo di sostegno 40x12x21 mm
- 4 – Raccordo ortogonale
- 5 – Sospensione

- 1 – Soft Top panel
- 2 – Main runner 38x24 mm
- 3 – Cross tee 40x12x21 mm
- 4 – Cross connector
- 5 – Hanger wire

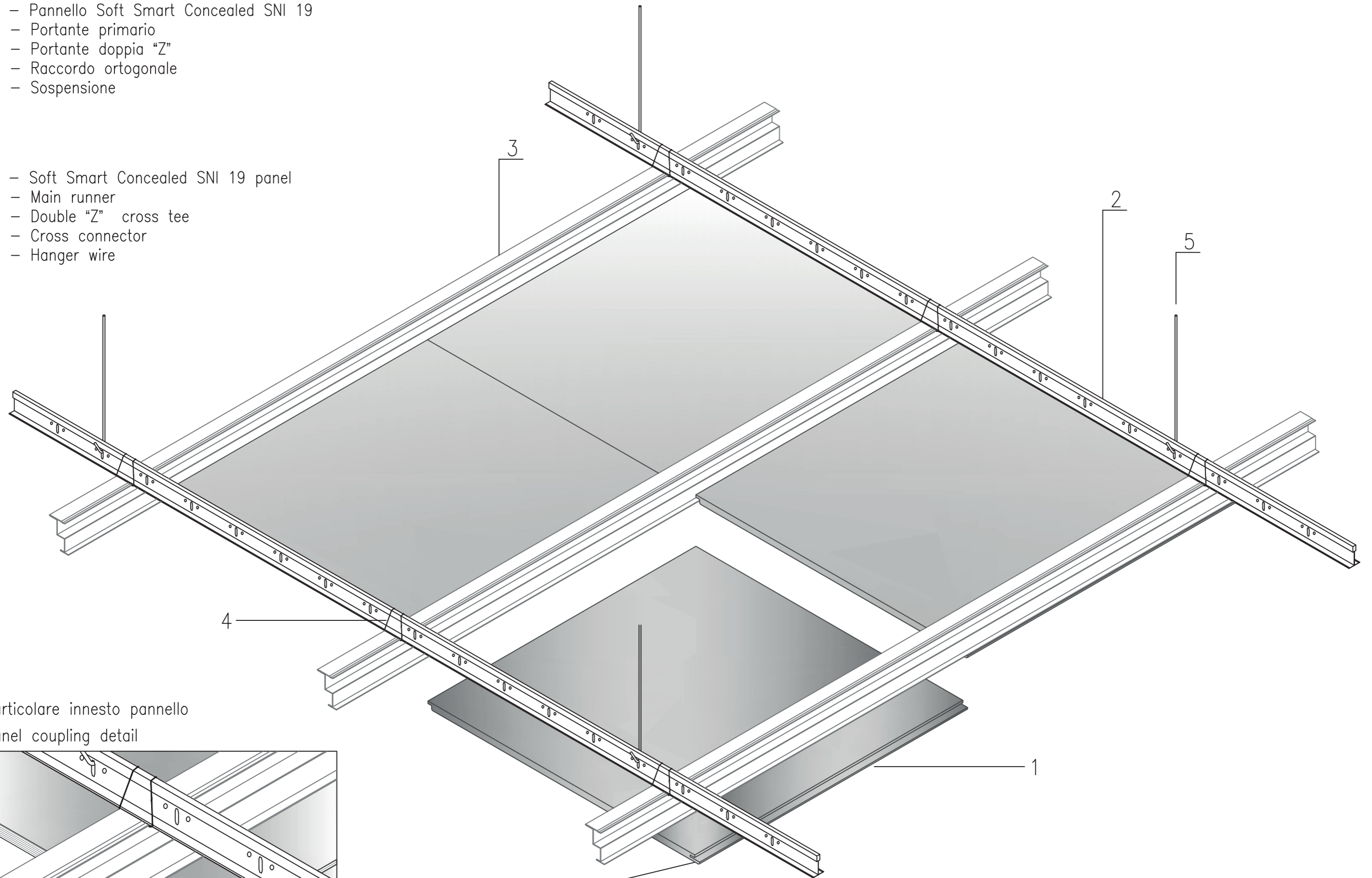


Particolare raccordo ortogonale  
Cross connector detail

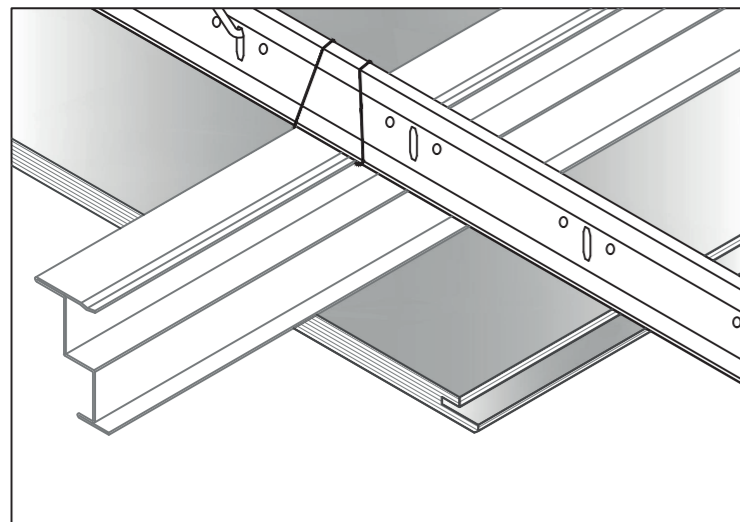


- 1 – Pannello Soft Smart Concealed SNI 19
- 2 – Portante primario
- 3 – Portante doppia "Z"
- 4 – Raccordo ortogonale
- 5 – Sospensione

- 1 – Soft Smart Concealed SNI 19 panel
- 2 – Main runner
- 3 – Double "Z" cross tee
- 4 – Cross connector
- 5 – Hanger wire



Particolare innesto pannello  
Panel coupling detail



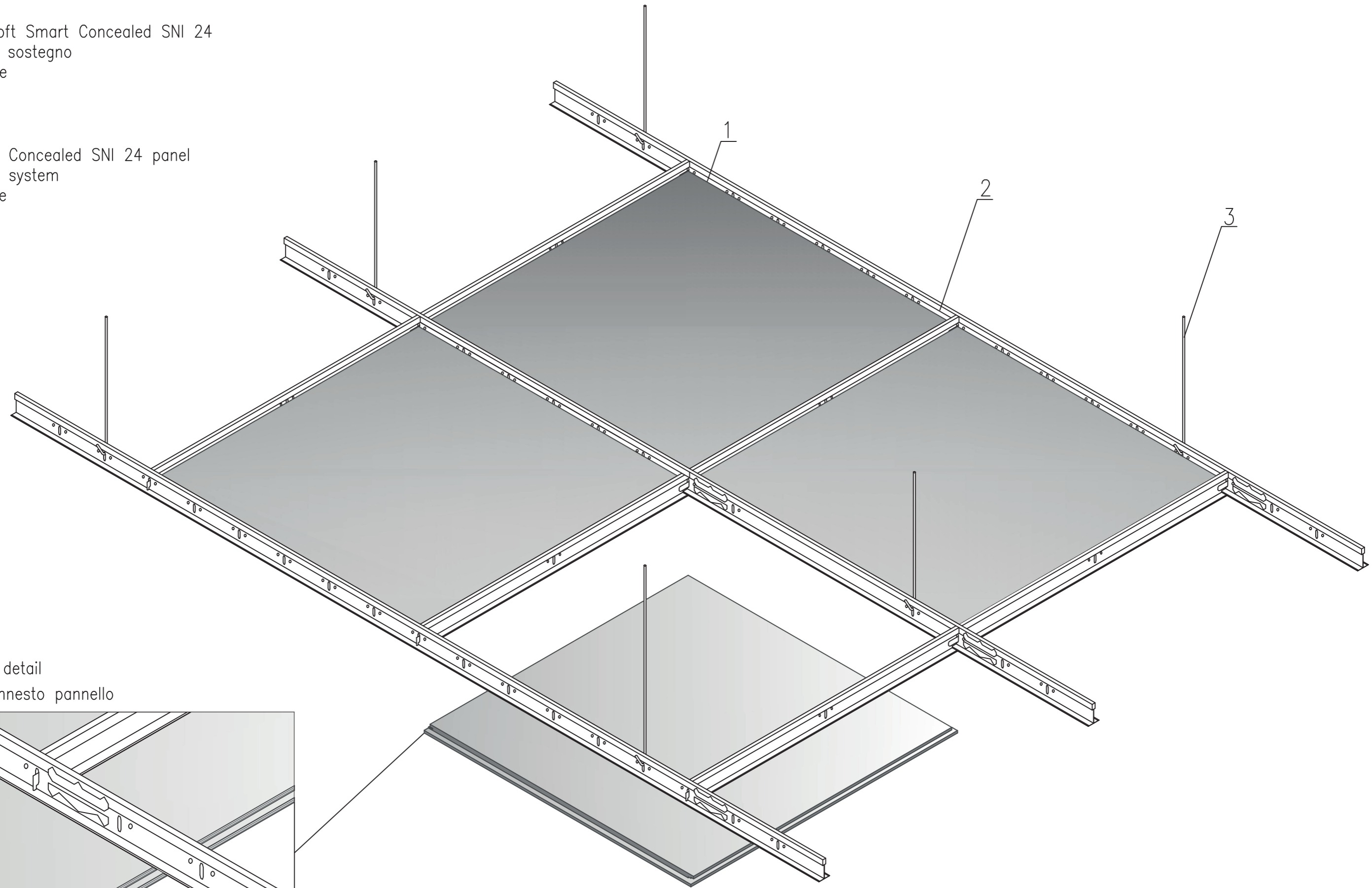
SOFT SMART

Oggetto: Schema di montaggio controsoffitto Soft Smart  
Concealed SNI 19

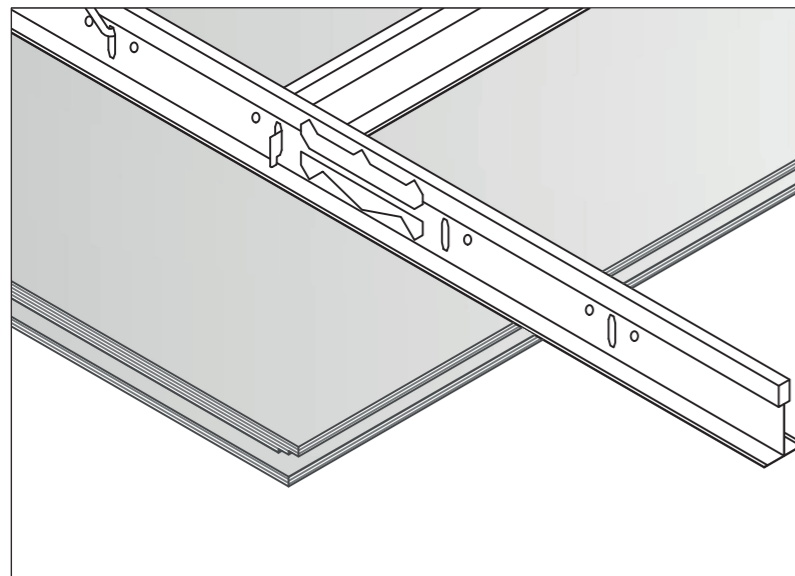
Object:  
Soft Smart Concealed SNI 19 assembly system

- 1 – Pannello Soft Smart Concealed SNI 24
- 2 – Orditura di sostegno
- 3 – Sospensione

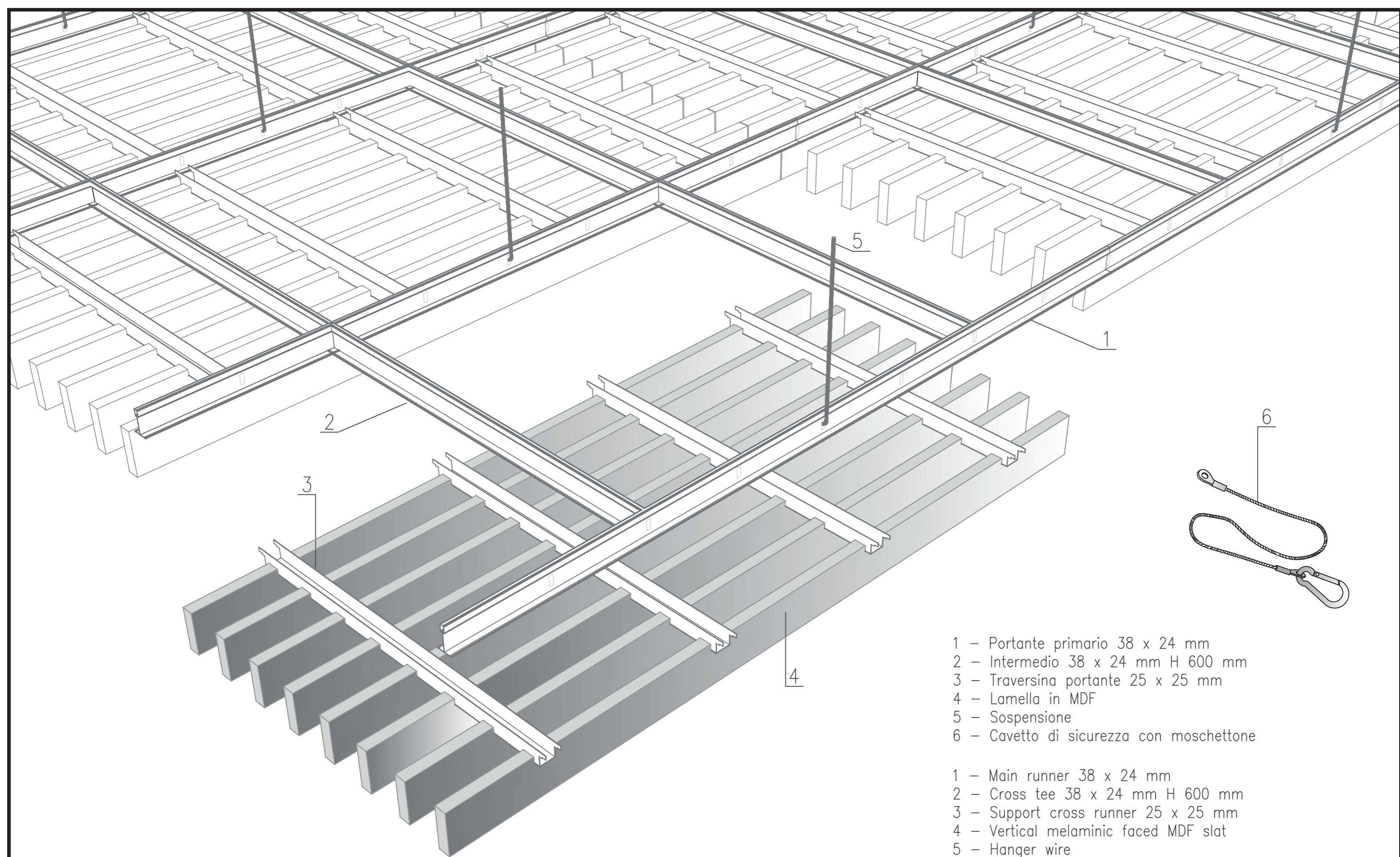
- 1 – Soft Smart Concealed SNI 24 panel
- 2 – Suspension system
- 3 – Hanger wire



Panel fixing detail  
Particolare innesto pannello

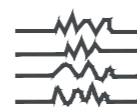






- 1 – Portante primario 38 x 24 mm
- 2 – Intermedio 38 x 24 mm H 600 mm
- 3 – Traversina portante 25 x 25 mm
- 4 – Lamella in MDF
- 5 – Sospensione
- 6 – Cavetto di sicurezza con moschettone

- 1 – Main runner 38 x 24 mm
- 2 – Cross tee 38 x 24 mm H 600 mm
- 3 – Support cross runner 25 x 25 mm
- 4 – Vertical melaminic faced MDF slat
- 5 – Hanger wire
- 6 – Laynard with locking clip



**SOFT SOUND**  
acoustical innovation & design

SOFT SMART OPEN

Oggetto:

Schema di montaggio controsoffitto Soft Smart Open

Object:

Soft Smart Open assembly system

**SOFT SOUND S.R.L.**

Via Oscar Romero, 31 | 60027 Osimo (AN) | Tel. +39 039 5787102  
[www.softsoundsrl.com](http://www.softsoundsrl.com) | [info@softsoundsrl.com](mailto:info@softsoundsrl.com)